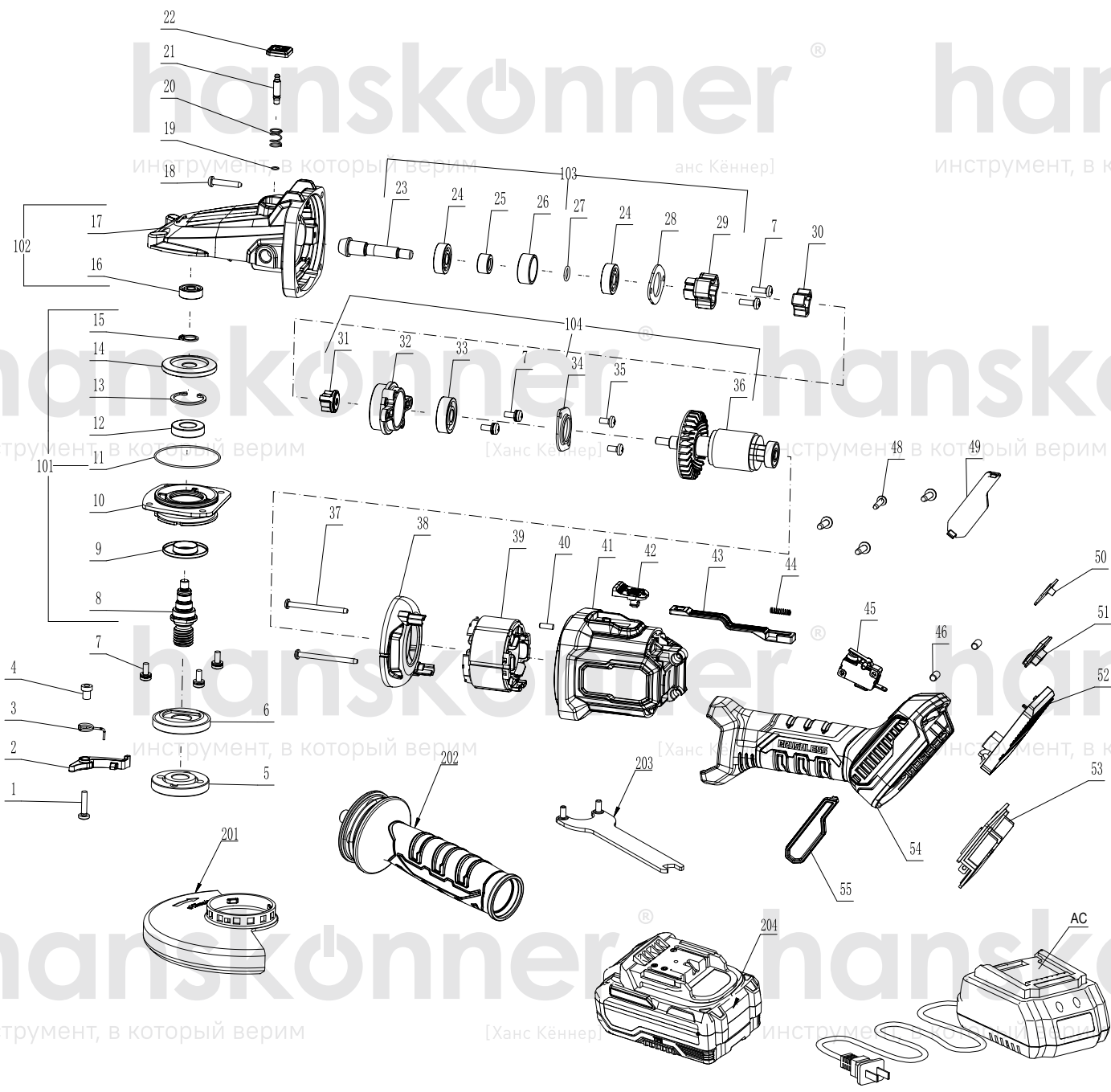


HAG18125BLC



NO.	DESCRIPTION
1	SCREW M4X18
2	WHEEL GUARD LOCK
3	TORSIONAL SPRING
4	STEEL SLEEVE
5	OUTTER FLANGE
6	INNER FLANGE
7	SCREW M4X10
101	FRONT COVER SET
8	SPINDLE
9	DUSTPROOF COVER
10	FRONT COVER
11	O RING
12	BEARING 6901
13	GASKET
14	BIG GEAR
15	CIRCLIP FOR SHAFT
102	GEAR BOX SET
16	BEARING 606
17	GEAR BOX
18	SCREW ST4X22
19	RING WAHSER
20	SLEFLOCKING SPRING
21	SELFLOCKING PIN
22	SELFLOCKING BOTTON
103	PINION ASSEMBLY
23	PINION
24	BEARING 608
25	STEEL SLEEVE2
26	STEEL SLEEVE1
27	O RING
28	BEARING CLAMP
29	CONNECTOR2
30	CONNECTOR
104	ROTOR ASSEMBLY
31	CONNECTOR1
32	END COVER
33	BEARING 629
34	BEARING CLAMP
35	SCREW M4X8
36	ROTOR
37	SCREW ST3.5X45
38	AIR DIRECTOR
39	STATOR
40	RUBBER COLOMN
41	HOUSING
42	PUSH BUTTON
43	PUSHING ROD
44	SWITCH RESET SPRING
45	SIGNAL SWITCH
46	RUBBER COLOMN
48	SCREW ST3.5X16
49	RIGHT DUSTPROOF SHIELD
50	SPEED CONTROL LABEL
51	COVER PLATE
52	PCB CONTROLLER
53	CONNECT BASE
54	HANDLE
55	LEFT DUSTPROOF SHIELD
201	WHEEL GUARD
202	HANDLE
203	WRENCH
204	BATTERY PACK
AC	CHARGER